

Metal Scraper



Single-acting

Metal and Elastomer Scrapers Lips

Material:

NBR, Metal and Brass





■ Metal Scraper



■ Description

The metal scraper is a single-acting special scraper with two different scraper lips - a thin metallic lip and an elastomer lip. The two scraper lips are arranged in tandem behind one another in a compact metal housing.

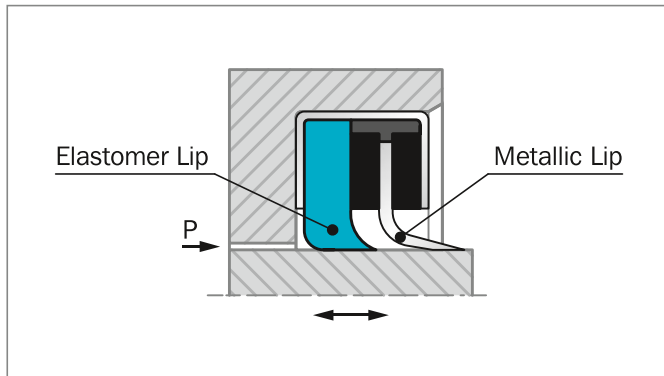


Figure 201: Metal Scraper

The metal scraper lip is designed to remove firmly adhering soiling and ice particles. The secondary lip of elastomer material enhances the overall scraping effect, i.e. fine sand grains, water and similar foreign matter are reliably scraped off. Both scraper lips have a smaller diameter than the nominal diameter of the piston rod, thus ensuring a tight fit of the scraper lips. The metallic lip is guided flexibly in radial direction and can easily follow any possible deflections of the piston rod.

ADVANTAGES

- Very good scraping effect, even with firmly adhering dirt, e.g. mud, ice
- Very abrasion resistant
- Tight fit in the groove due to the metal case
- Easy installation in open grooves

OPERATING CONDITIONS

Speed:	Max. 1 m/s with reciprocating movements
Temperature:	-30 °C to +110 °C
Media:	Mineral oil-based hydraulic fluids, flame retardant hydraulic fluids (HFA, HFB, HFC), water, air, etc.

IMPORTANT NOTE

The above data are maximum values and cannot be used at the same time, e.g. the maximum operating speed depends on material type, pressure, temperature and gap value. Temperature range also depends on media.

MATERIALS

Inner scraper lip:	Acrylonitrile butadiene rubber, NBR 70 Shore A Code N7
Metal housing:	Sheet metal 1.0204 (AISI 1008) or similar Code M
Outer scraper lip:	Brass Code S

Other materials for scraper lips and housing available on request. Also available in an imperial (inch) size range.



■ Installation Recommendation

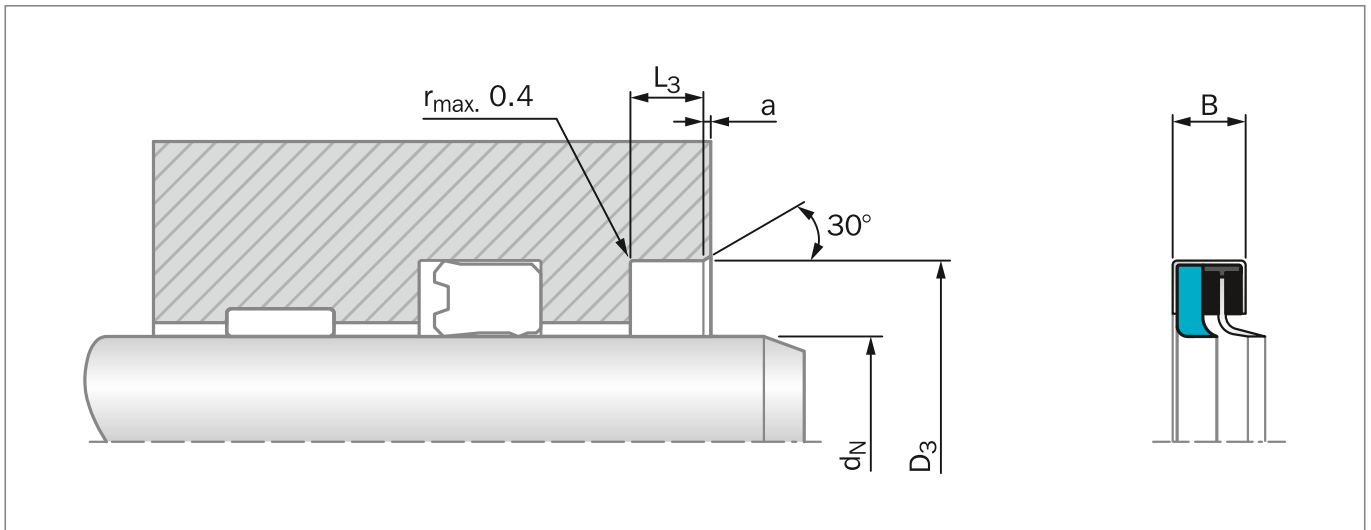


Figure 202: Installation Drawing

ORDERING EXAMPLE

Metal Scraper

Rod Diameter:	$d_N = 80.00$ mm
Groove Diameter:	$D_3 = 96.00$ mm
Groove Width:	$L_3 = 8.50$ mm
TSS Part No.:	WM0100800 from Table 179
Material:	Standard materials Material code N7MS

TSS Article No.	WM01	00800	-	N7	M	S
TSS Series No.	_____	_____	_____	_____	_____	_____
Rod Diameter x 10	_____	_____	_____	_____	_____	_____
Quality index (Standard)	_____	_____	_____	_____	_____	_____
Material Code (Inner Scraper Lip)	_____	_____	_____	_____	_____	_____
Material Code (Housing)	_____	_____	_____	_____	_____	_____
Material Code (Outer Scraper Lip)	_____	_____	_____	_____	_____	_____



Table 179: Installation Dimensions / TSS Part Numbers

Rod Diameter	Groove Diameter	Groove Width	Chamfer	Width	TSS Part No.
d_N f8/h9	D_3 H8	L_3 +0.2	a min.	B	
12.0	25.0	7.0	2.0	6.5	WM0000120
14.0	27.0	7.0	2.0	6.5	WM0000140
15.0	28.0	7.0	2.0	6.5	WM0000150
16.0	29.0	7.0	2.0	6.5	WM0000160
18.0	31.0	7.0	2.0	6.5	WM0000180
20.0	33.0	7.0	2.0	6.5	WM0000200
22.0	35.0	7.0	2.0	6.5	WM0000220
25.0	38.0	7.0	2.0	6.5	WM0000250
28.0	41.0	7.0	2.0	6.5	WM0000280
30.0	43.0	7.5	2.0	7.0	WM0000300
32.0	45.0	7.5	2.0	7.0	WM0000320
35.0	48.0	7.5	2.0	7.0	WM0000350
36.0	49.0	7.5	2.0	7.0	WM0000360
38.0	51.0	7.5	2.0	7.0	WM0000380
40.0	53.0	7.5	2.0	7.0	WM0200400
45.0	58.0	7.5	2.0	7.0	WM0000450
50.0	64.0	8.0	2.0	7.5	WM0000500
55.0	69.0	8.0	2.0	7.5	WM0000550
58.0	72.0	8.0	2.0	7.5	WM0000580
60.0	74.0	8.0	2.0	7.5	WM0000600
63.0	77.0	8.0	2.0	7.5	WM0000630
65.0	79.0	8.0	2.0	7.5	WM0000650
70.0	84.0	8.0	2.0	7.5	WM0000700
75.0	89.0	8.0	2.0	7.5	WM0000750
80.0	96.0	8.5	2.0	8.0	WM0100800
85.0	101.0	8.5	2.0	8.0	WM0000850
90.0	106.0	8.5	2.0	8.0	WM0000900
95.0	111.0	8.5	2.0	8.0	WM0000950
100.0	120.0	9.0	3.0	8.5	WM0001000
110.0	130.0	9.0	3.0	8.5	WM0001100
120.0	140.0	9.0	3.0	8.5	WM0001200
130.0	150.0	9.0	3.0	8.5	WM0001300
140.0	160.0	9.0	3.0	8.5	WM0001400
150.0	170.0	9.0	3.0	8.5	WM0101500
160.0	180.0	9.0	3.0	8.5	WM0001600
170.0	190.0	9.0	3.0	8.5	WM0001700
180.0	200.0	12.0	3.0	10.0	WM0001800
200.0	230.0	12.0	3.0	10.0	WM0102000
210.0	230.0	12.0	3.0	10.0	WM0002100
220.0	250.0	12.0	3.0	10.0	WM0002200

The rod diameters in **bold** type comply with the recommendations of ISO 3320.
Other sizes on request.
Inch sizes can be supplied.